



RODLSBERGER
Rides and more



Skyswing

A decorative graphic in the top right corner consisting of several overlapping hexagons in various shades of blue, arranged in a pattern that tapers towards the right edge of the image.

one
step
ahead.



As a reliable partner and enthusiastic friends and manufacturers of fun rides, we not only support you with the planning but also help with the on-site construction of your ride. We have been offering our products, such as the SkyGlider

and the SkySwing, for more than 25 years and are constantly expanding our range. Our customers in many countries, including Saudi Arabia, Switzerland, Italy, South Korea, and of course Austria, delight in the enthusiasm of their guests. A lot of

hard work, sweat, and heart and soul go into each of our fun rides to create a breathtaking experience for the whole family. Our vision is very clear: joy and adventure for everyone.



RODLSBERGER
Rides and more



RODLSBERGER
Rides and more

very **low**
operating costs

Steel
construction
galvanized,
centrally lubricated
main bearing unit

FACTS & EQUIPMENT

© Peter Maier, Fotograf: Peter Maier



8 persons
(min body size 140 cm)



2 x 18,5 kW
electric engine



Adjustable intensity
(from **15° to 360°**
rotation angle)
+ ride memory



Up to **60 km/h**
+ 4 g-force



Footprint
13m x 9 m



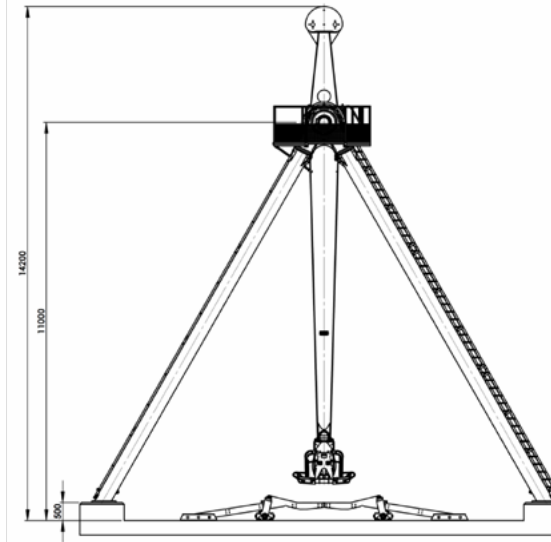
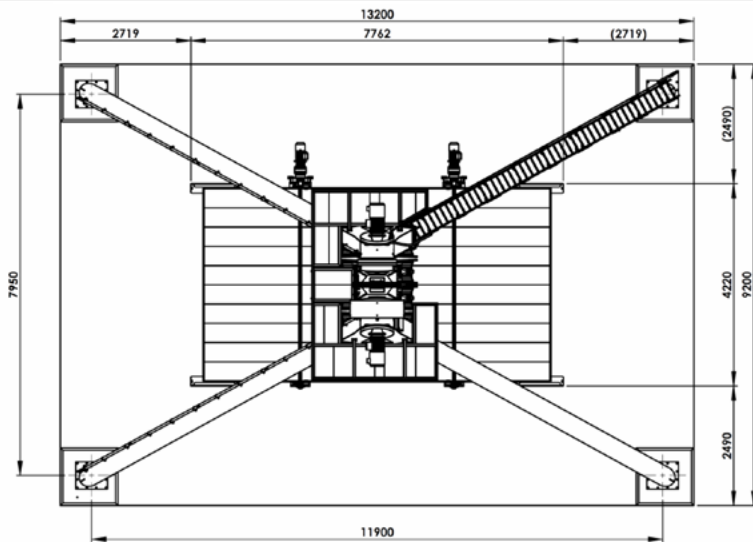
23 meters
max. height



Operational day,
night, summer,
winter **-15° C**



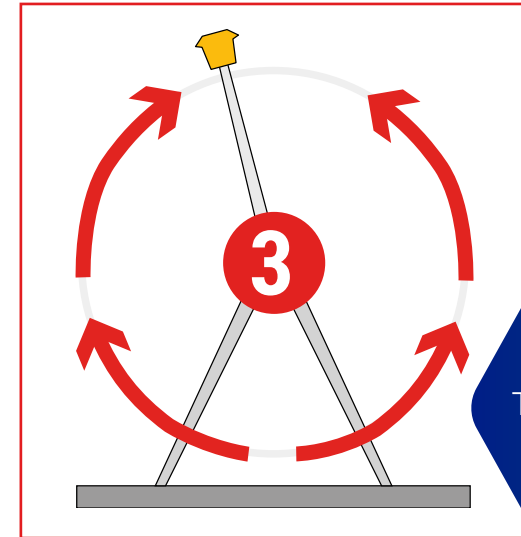
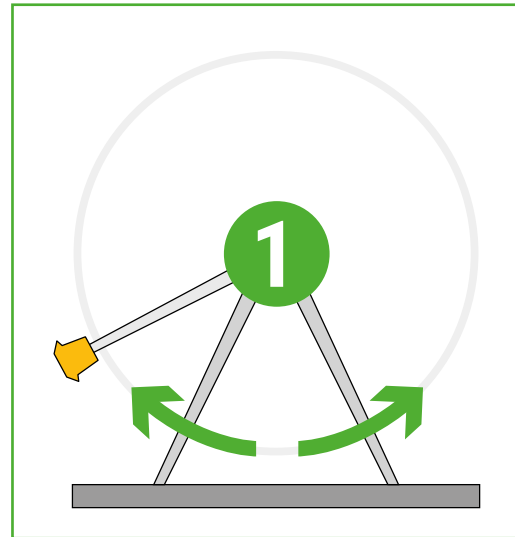
150 pph



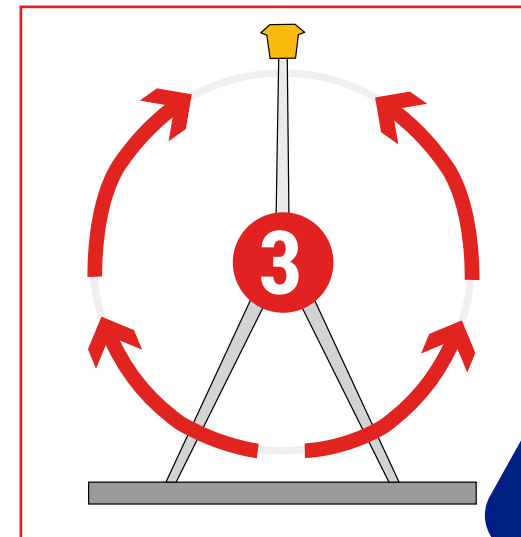
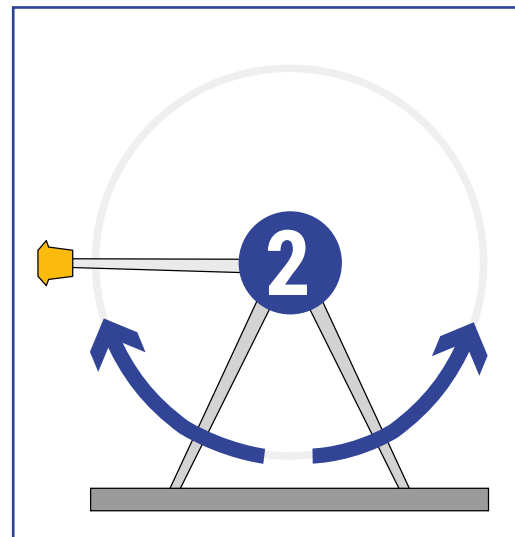
RIDE CONTROL

Adjustable intensity:

- 1) Beginner 15°
- 2) Advanced 40°
- 3) Expert 100-180°



From 0° to 180°
Time from start to 180° approx. 20 seconds



Continuously adjustable from 15° to 360°, + Trip memory

ADVANTAGES

Pure Ride - Just one movement for complete pleasure

Variable ride control
Swing motion can be continuously adjusted to suit the guests' preferences.

Erected and commissioned within **6 days** (after the foundation work was completed)

Including commissioning, training, service and assistance with maintenance and technical inspections.

PROCESS

Auto Mode: The current run is saved and can be recalled for the next run.
(e.g., start, 3 loops, 180° stop, 3 loops, stop)

A ride takes approximately **1-3 minutes** (depending on the operator and passenger volume, min. 2 minutes, max. 3 minutes), with 150 passengers per hour.

GAMES



There are no limits to your imagination! We're happy to help you with the planning and implementation.

THROWING GAME

The passenger is given a ball and must throw it into a box during the ride. If the ball lands in the box, you win.

WATER CUP GAME

Give each passenger a cup of water. If the cup is still completely full after the ride, it's a clear success!

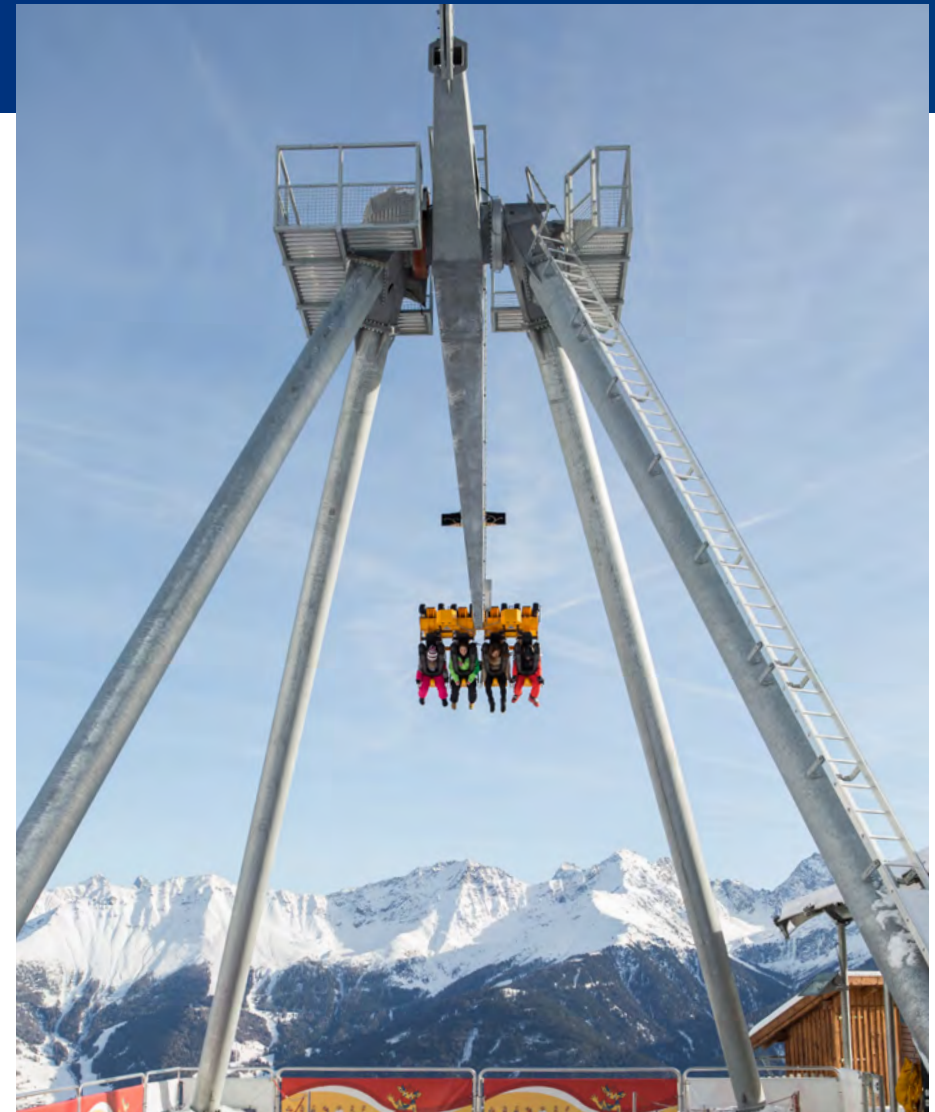
WATER GAME

Install a water feature that rises and falls in front of the guests (depending on the swing position) or a nozzle that can be used to spray guests with steam in the summer.

EQUIPMENT

Create highlights for your customers. We'll help you to design your **building**. A membrane roof protects against sun and rain while also being an elegant design element.

Sell photos with a professional **photo** booth. Create **videos** for social media and your website. We're also happy to help with your **lighting and sound installation**.



Fisser-Bergbahnen - Tyrol

© Peter Maier, Fotograf: Peter Maier



Nassfeld - Carinthia



© Martin Luggner (Martin Luggner Photography)

Trecchina - Amalfi Coast



Abha - Saudi Arabia





SkyGlider



WildeAlm



RodelSicher

**Alfred Rodlsberger
Stahl- & Maschinenbau GmbH**

Gewerbegebiet 443
A-5721 Piesendorf

+43 660 450 39 50
info@rodlsberger.at

www.rodlsberger.at



RailFly



RODLSBERGER
Rides and more